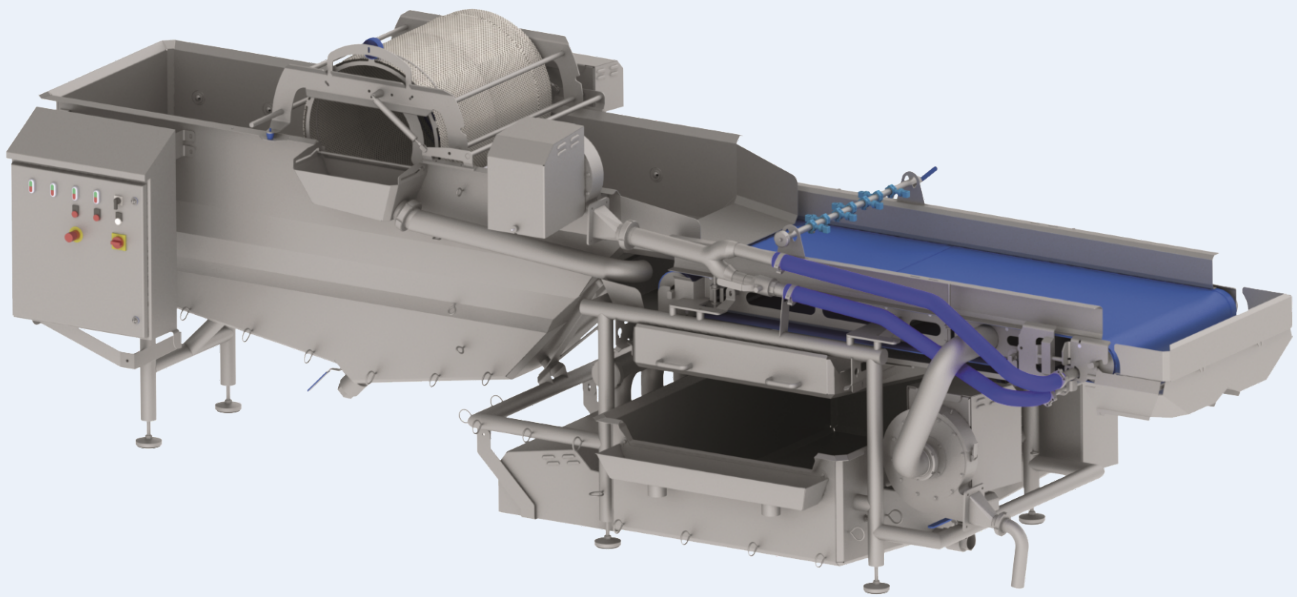


Disinfection, Washing, Mixing

HEWA 4000 washing machine with vibration or belt outfeed

A universal washing machine optimized in terms of both hygiene and cleaning – for the continuous pre-washing, washing, disinfection and treatment of both cut and whole lettuce, vegetables, herbs and fruit, among others.

4,000 kg/h Max. capacity



Your benefits

- ✔ Maximum hygiene and rapid cleaning, including easy dismantlement of the machine
- ✔ Effective and gentle washing thanks to the HELICAL washing system
- ✔ The HELICAL washing system makes the machine versatile and space-saving
- ✔ Reduced water consumption with perfect washing results
- ✔ Optimal separation of foreign objects, for example sand, stones and insects
- ✔ Continuous washing process – with automatic filling, no operating personnel required
- ✔ Washing, disinfection, mixing and rinsing possible in just one machine

Product groups



Portrait

Effective, gentle and economical washing of up to 4,000 kg per hour

The HEWA 4000 is a further development of the **GEWA 4000 PLUS**. It is optimized with regard to hygiene and a reduced cleaning time, for example thanks to a design with no horizontal surfaces, which allows the water to optimally discharge. What's more, the machine can be easily dismantled for thorough and rapid cleaning.

Like the GEWA 4000 PLUS, the machine is used for pre-washing, washing, disinfecting, mixing, treating and rinsing lettuce, vegetables and fruit. It can be



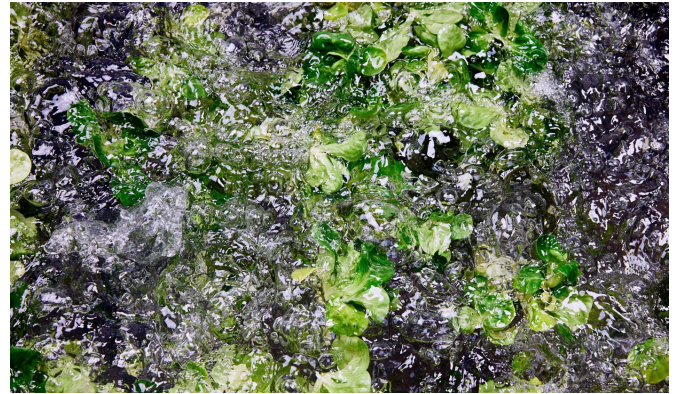
used flexibly and is usually positioned downstream of a cutting machine between the low-care and high-care areas.

The wash tank is filled either automatically via an infeed belt or manually. Both floating and sinking products are conveyed through the wash tank in a spiral movement by the HELICAL washing system. The flow rate and movement of the water in the wash tank can be adjusted to suit different products. At the end of the wash tank, the product and the water are transported to a vibration or belt outfeed by means of an overflow and sprayed with a fresh water shower. The water flows through a strainer into the pump tank, from which it is pumped back into the wash tank and used again.

Versatile application options:

- Lettuce (e.g. baby leaf, iceberg): cut and whole leaves
- Vegetables: cut and whole
- Herbs (e.g. parsley, chives): loose and in bunches
- Fruit (e.g. pineapple, melon): cut and whole
- Other leafy products (e.g. spinach), tuber products, pulses and mushrooms, as well as seaweed or kelp

As a result, the HEWA ensures an undamaged, optimally cleaned product that, if necessary, has been disinfected with a washing additive. In addition, the product can be efficiently mixed (e.g. mixed salads) and cooled down by the washing process.

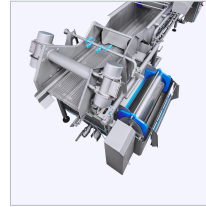


Benefits



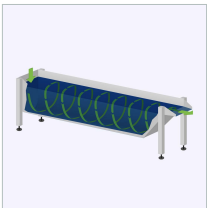
Maximum hygiene, rapid cleaning and maintenance

The HEWA 4000 is optimized in terms of hygiene and easy cleaning. The machine can be easily dismantled for rapid and thorough cleaning. The design concept also ensures maximum hygiene, for example the fact that the machine has no horizontal surfaces whatsoever, thus allowing the water to optimally discharge. What's more, all edges are designed to avoid the formation of biofilm. The vibration motors, all pipes, the pump casing, the wash and pump tanks and the covers and switch cabinet are made from AISI 304 stainless steel. (Fig. HEWA 3800)



Vibration or belt outfeed

The washing machines are available with vibration or belt outfeed. The chosen outfeed depends on the specific requirements. The vibration outfeed ensures preliminary dewatering of the product, sorts out small particles and is easier to clean. Filter strainers with hole sizes of 2, 5, 8 or 10 mm, for example, are available, enabling product-specific adaptations. In addition to the standard version, a version with an outfeed extended by 500 mm is available. A belt outfeed may enable a higher capacity and is more suitable for individual products. What's more, the machine does not necessarily need to be raised in case of a wash cascade function. (Fig. HEWA 3800)



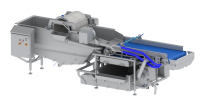
Highly effective, gentle HELICAL washing system

KRONEN's HELICAL washing system ensures that the product travels along a spiral-shaped route in the wash tank that is up to ten times longer than the wash tank. Due to the ideal distribution, the product is loosened up and constantly rinsed completely during the cleaning process. Products are therefore washed thoroughly and gently, water consumption is considerably reduced, and the machine is ideal for a wide range of applications.



Sand trap sedimentation unit

The sand trap integrated into the wash tank separates the loosened heavy dirt (e.g. small stones) and sand from the product flow. Dirt and sand settle in the sand trap at the bottom of the wash tank and are not discharged from the wash tank with the product. (Fig. HEWA 3800)



Compact and flexible design

Thanks to the HELICAL washing system, the HEWA washing machine is particularly compact. The machine can be extended as needed and can therefore be flexibly adapted to meet requirements in production operations, for example by retrofitting its air system or other options.

Technical data

Electrical power	Power	10.3 kW / 11.4 kW (V outfeed / B outfeed)
	Voltage	3~400 V N/PE
	Frequency	50 Hz
Water	Fresh water connection	2 3/4 inch (GEKA coupling)
	Water drainage	2 x 2"
	Total volumes	1505 l
Dimensions	LxWxH	4110 x 1799 x 2188 mm / 4277 x 1858 x 2188 mm (V outfeed / B outfeed)
	Weight	905 kg / 935 kg (V outfeed / B outfeed)
	Infeed/placement height	1232 mm
	Outfeed/delivery height	928 mm / 775 mm (V outfeed / B outfeed)

The data indicated are standard information. In addition, adaptation to other supply networks (e.g. 230V/60 Hz) is optionally possible (except for manual and pneumatic machines). Subject to changes.